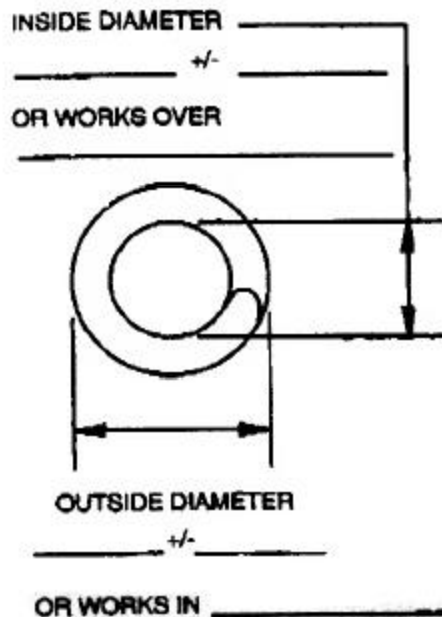
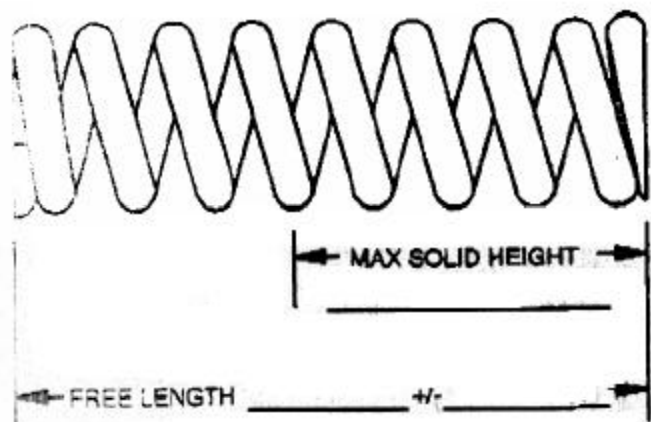
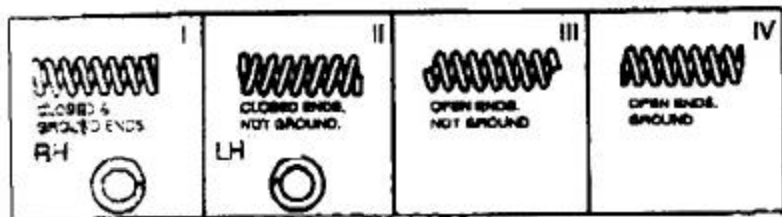


# COMPRESSION SPRINGS SPECIFICATION FORM



INDICATE UNITS OF MEASURE (IN & LB), (MM & KG)

1. MATERIAL \_\_\_\_\_
2. WIRE DIA. \_\_\_\_\_
3. DIRECTION OF WIND OPT. LH, RH
4. STYLE OF END I, II, III, IV
5. SQUARENESS \_\_\_\_\_
6. RATE  $\pm$  \_\_\_\_\_ BETWEEN \_\_\_\_\_ & \_\_\_\_\_
7. LOAD 1  $\pm$  \_\_\_\_\_ @ \_\_\_\_\_
8. LOAD 2  $\pm$  \_\_\_\_\_ @ \_\_\_\_\_
9. No. OF ACTIVE COILS \_\_\_\_\_
10. TOTAL No. OF COILS \_\_\_\_\_
11. FINISH \_\_\_\_\_
12. FREQUENCY OF COMPRESSION \_\_\_\_\_ CYCLES/SEC.  
AND WORKING RANGE \_\_\_\_\_ IN. TO \_\_\_\_\_ IN. OF LENGTH
13. OPERATING TEMP. \_\_\_\_\_ °F
14. OTHER: \_\_\_\_\_

COMPANY: _____		
ADDRESS: _____		
CITY: _____	ST: _____	ZIP: _____
CONTACT: _____		
PHONE: _____		
FAX: _____		
EMAIL: _____		
QUANTITIES TO BE QUOTED: _____		
END USE OR APPLICATION: _____		