

TORSION SPRINGS SPECIFICATION FORM

TABLE 1

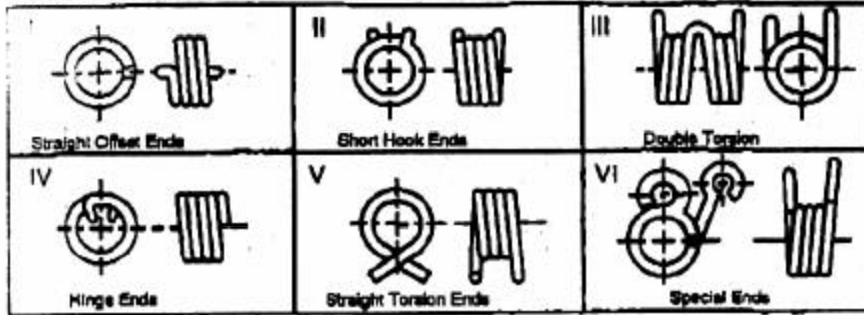
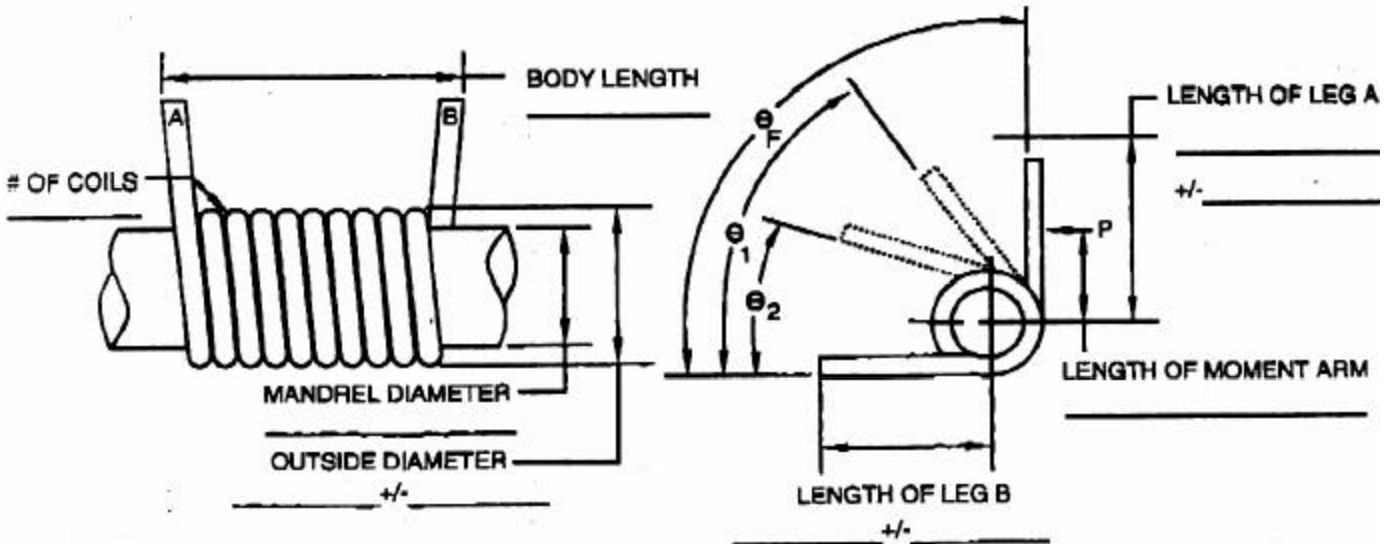
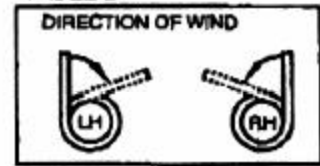


TABLE 2



INDICATE UNITS OF MEASURE (IN & LB), (MM & KG)

1. MATERIAL _____
2. WIRE DIA. _____
3. DIRECTION OF WIND LH, RH → SEE TABLE 2
4. END STYLE (A) I, II, III, IV, V, VI SEE TABLE 1
5. STYLE OF END (B) I, II, III, IV, V, VI
6. RATE _____ +/- _____ PER TURN (360°)
7. TORQUE 1 _____ +/- _____ AT θ_1 _____ °
8. TORQUE 2 _____ +/- _____ AT θ_2 _____ °
9. LENGTH OF SPACE AVAILABLE _____
10. MAXIMUM WOUND POSITION _____ ° FROM FREE POSITION.
11. θ_F _____ FREE ANGLE OR POSITON
12. FINISH _____
13. FREQUENCY OF ROTATION _____ CYCLES/SEC.
AND WORKING RANGE θ _____ ° TO θ _____ ° DEFLECTION.
14. OPERATING TEMP. _____ °F

COMPANY:	
ADDRESS:	
CITY:	ST: ZIP:
CONTACT:	
PHONE:	
FAX:	
EMAIL:	
QUANTITIES TO BE QUOTED:	
END USE OR APPLICATION:	